



OL50 Based Low Intensity Obstruction Light

In some cases, a country has its own aviation regulation other than ICAO regulation. For example, Germany's low intensity is 50cd, Australia's low intensity is 100cd. Reddot can make light on customer's request.

Functions & Features

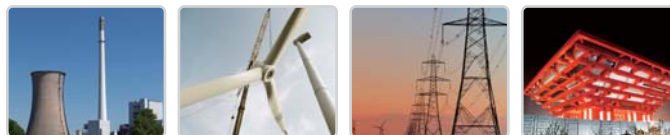
- Special optical design provides better light distribution
- LED light source ensures long lifetime, maintenance free
- Low power consumption
- Shock and vibration resistant
- Corrosion resistant and UV stable polycarbonate housing
- Ease of mount, mount accessories available
- Available both in single and double type
- 5 years warranty

Application

- Telecomm tower
- Radio tower
- Wind turbine
- Smoke stacks & chimney
- Tall building
- Crane
- Power transmission line

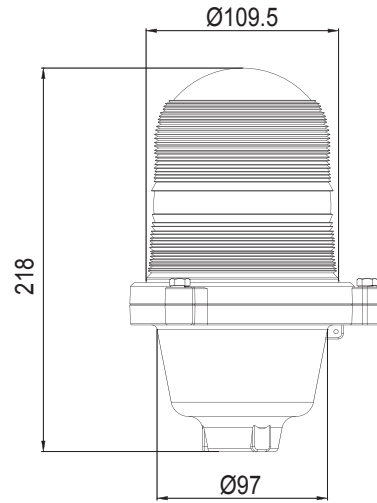
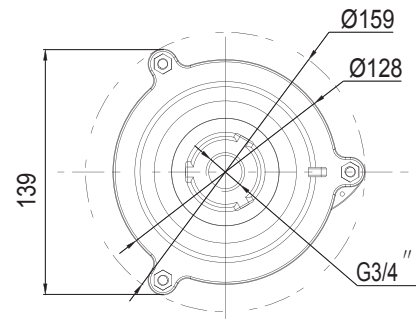
Product Standard

- ICAO Annex 14, 4th Edition, July 2004



Specifications

LIGHT OUT-PUT	
Effective Intensity	50 OR 100 Candela, or specified by customer
Vertical Divergence	-3°~20° more than 50cd Centering at 10°
Horizontal out-put	360 Degree
LED Color	Red
LED Lifespan	100,000 Hours
OPERATION	
Flash Pattern	Steady-burning
POWER SUPPLY	
Input voltage	12VDC, 24VDC, 48VDC, 110VAC, 220VAC
Frequency	50Hz ~ 60Hz
Power consumption	10W
MECHANICAL STRUCTURE	
Lens	Polycarbonate, UV Stabilize
Body	Die-casting Aluminum
Water-proof	IP65
Weight	3.0 KG
Temperature Range	-40 C ~ +55 C
Relative humidity	Up to 95%
Dimensions	230mm H, 245mm Diameter
Warranty	5 years
Optional	Available in flashing pattern (40FPM default) Available with built-in photo sensor



Order codes

Series	Single/Double	AC/DC	Voltage	Flashing	Photo sensor
L50	S	A	12	F	P
	D	D	24		
			48		
			110		
			220		

For example, L50DA220F means a double, AC power supply, 220V flashing light

