

# OL200 LED Based Low intensity Aviation Obstruction Light

Reddot OL200 is a type of low intensity aviation obstruction light, peak intensity can be up to 200 Candelas, by far exceed International standard ICAO type B(32.5Candelas)

## Features

- Configured ultra-bright LEDs technology ensure long-life and free maintenance
- Low power consumption
- Special lens design enhance LED efficient and distributes 360 degree visibility
- Robust aluminum base with electrostatic powder painting, better corrosion-resistance
- Self-contained design for wiring which eliminate additional junction box
- Stainless steel Cable gland for easy cable entry and wiring
- Optional built-in photosensor, which can work independently, turn on/off automatically from dusk to dawn
- Optional dry contact alarm relay, 3-pin side-entry screw terminal block "NO-COM-NC"
- Available steady-burning or flashing type
- Light-weight and easy installation combined with REDDOT mounting kits

## Application

- Telecom&transmission tower
- Wind turbine
- Smoke stacks&chimney
- Oil offshore platform
- Crane
- High-rise building

## Compliant

Australia CASA Mos Part 139
UK CAP168 Low Intensity Obstacle(Group B)
NFL 197-107/03, Neues feuer W-ROT



## Specifications

### Light out-put

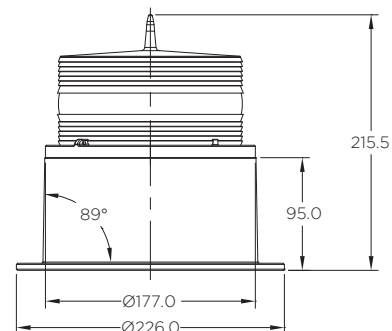
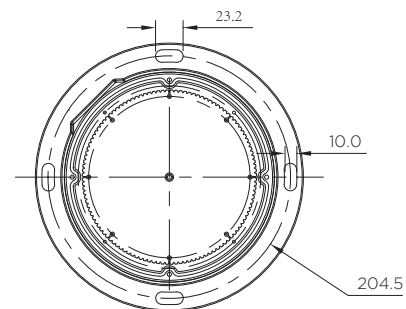
Peak Intensity	200 cd
Vertical Divergence	+5 to +8 degree 200cd 0 to +15 degree 50cd
Horizontal out-put	360 degree
LED color	Red(white, yellow, green, blue available)
LED lifespan	10,000 hours

### Power supply

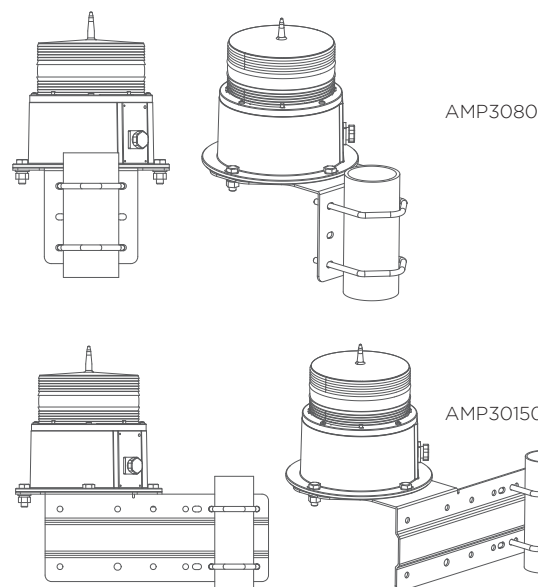
Operation voltage	12VDC, 24VDC, 48VDC, 110VAC, 220VAC(50-60HZ)
Flash Pattern	Steady-Burning or Flashing(40FPM as default)
Power consumption	15W

### Mechanical structure

Lens	Polycarbonate, UV Stablized
Body	Aluminum die-casting
Waterproof	IP67
Weight	3.5KG
Temperature range	-40C°-+50C°
Relative Humidity	100% with condensation
Dimensions	215.5mm Height, 226mm Diameter
Optional	Available with built-in photo sensor Available with built-in alarm relay



## Installation



## Ordering Code

Series	Single/Double	AC/DC	Voltage	Flashing	Photo sensor	Alarm Relay
OL200	S	A	12	F	P	R
	D	D	24			
			48			
			110			
			220			

## REDDOT AMP mounting kit : Ordering Code

Series	Vertical tower leg diameter range	Horizontal tower leg diameter range
AMP3080	30-80mm	30-80mm
AMP30150	30-150mm	30-80mm

