

# OLIS32 Solar Powered Low Intensity Obstruction Light

The solar panel comes with OLIS32 provides power supply to the light, which makes OLIS32 a self-contained and care-free light unit. Also, with the solar function, the light is easy to deploy to almost any condition and any emergency case. Robust body built and surface coating provides good protection against harsh environments.

## OLIS32 Series

Intensity	32.5cd
Compliant with	ICAO Annex 14, Volume 1, 4th Edition, July 2004 FAA Advisory Circular AC150/5345-46D

OLIS32 is equipped with an 16Ah NiMH rechargeable battery which could power the light up to 20 days when the weather is cloudy & rainy. NiMH battery is also a clean power source with no pollution. The NiMH battery is also easy to find almost anywhere.

OLIS32 is working under flashing mode, while ICAO requires that the low intensity light to be steady. But, anyway, OLIS32 could be a alternative option for some special needs.

## Features

- Ultra-light LEDs, energy saving
- Self-contained without outside power supply
- Maximum visibility distance 5 KM
- Once fully charged, it can work for up to 200 hours
- Auto-off after being packed for 18 hours

## Application

- High-rise building marking
- Telecom tower marking
- Road obstruction marking
- Navigation aid
- Port, dock entrance & walkway
- Buoy marking
- Offshore gas & oil platform



# Specifications

## LIGHT OUT-PUT

Intensity	32.5 Candela
Nominal Night Range	>5 KM
LED Color Available	Red
Vertical Divergence	10 Degree
Horizontal Out-put	360 Degree
Illumination	Ultra-bright LEDs
LED Lifespan	100,000 Hours

## OPERATION

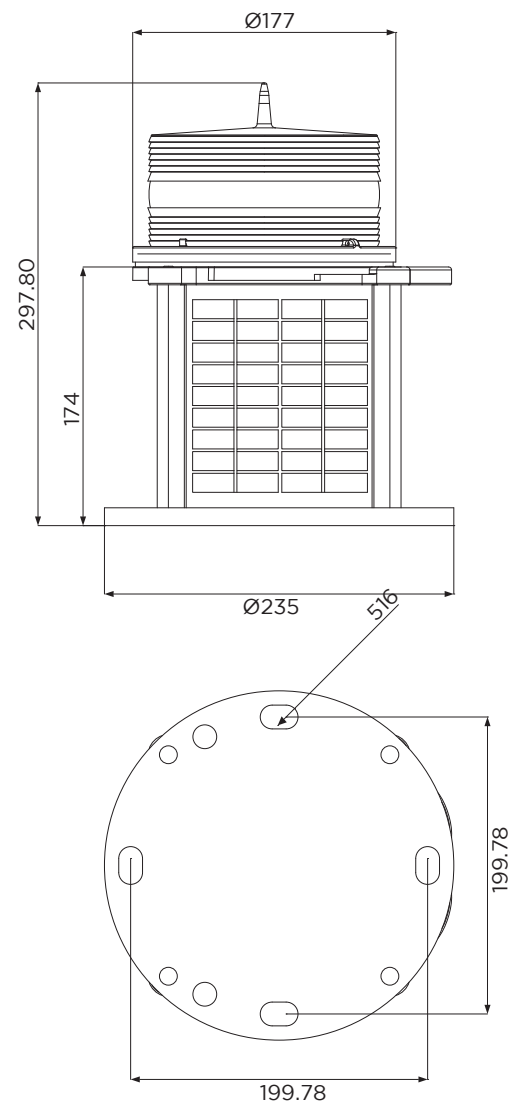
Autonomy	200 Hours
On & Off Level	70/100 Lux
Flash Pattern	Steady or Flashing (40 FPM as default)

## POWER SUPPLY

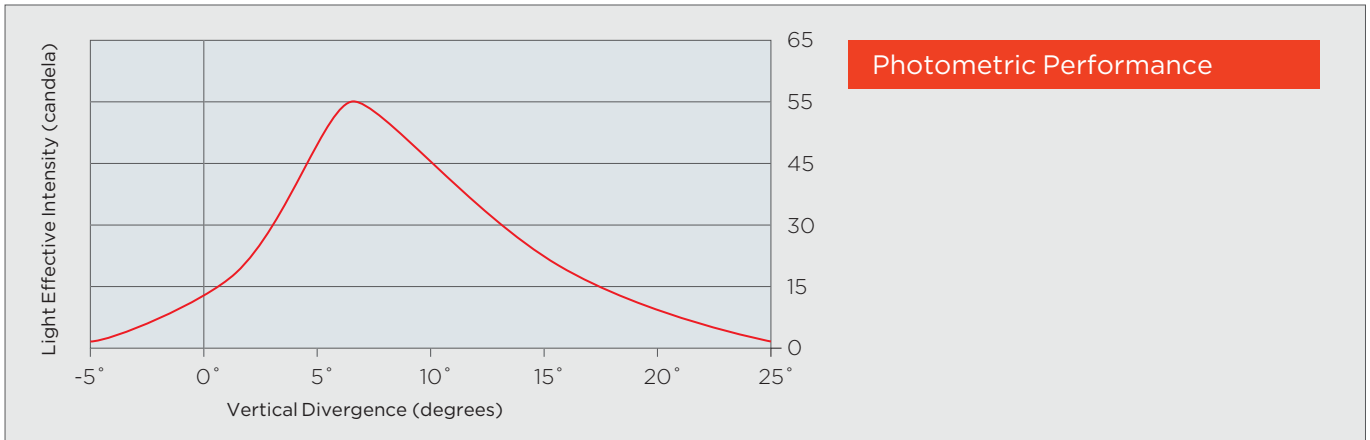
Power Source	12V / 20W module
Solar Efficiency	8Ah, lead acid
Max. Power Out-put	5 days (in cloudy & raining weather)

## MECHANICAL STRUCTURE

Lens	Polycarbonate, UV Stabilize
Body	Extrude-Aluminum
Water-proof	IP67
Weight	7.2 KG
Temperature Range	-40C° - +55C°
Dimensions	298mm H, 235mm Diameter
Warranty	5 years for light 2 years for NiMH battery



Note: when the light is in storage, please put it outside to charge the battery every 3 months



## Photometric Performance