

OLS10 Solar Powered Low Intensity Obstruction Light

OLS10 series is solar powered obstruction light. Solar function make it a self-contained and almost care-free light unit.

The light system is composed of 3 parts, light, battery box and solar panel. When the light and solar panel connected to the battery box, the whole system can be mounted on a tower. Both vertical mounting and horizontal mounting are ok.

OLS10 is equipped with a 10Ah VRLA (valve regulated lead acid) rechargeable battery which could power the light up to 5 days when the weather is cloudy & rainy. The 10Ah VRLA battery is also easy to find almost anywhere.

Both single light & double light are available in this series.

Features

- Green energy
- Ultra-light LEDs, energy saving
- Self-contained without outside power supply
- Maximum visibility distance 4 KM
- Once fully charged, it can work for up to 60 hours
- Cable cost saving & cabling job saving
- No wiring job, nice & easy installation

Applications

- Telecomm tower
- Radio tower
- Wind turbine
- Smoke stacks & chimney
- Tall building
- Power transmission line

Standard

- ICAO Annex 14, 4th Edition, July 2004
- ICAO low intensity, type A

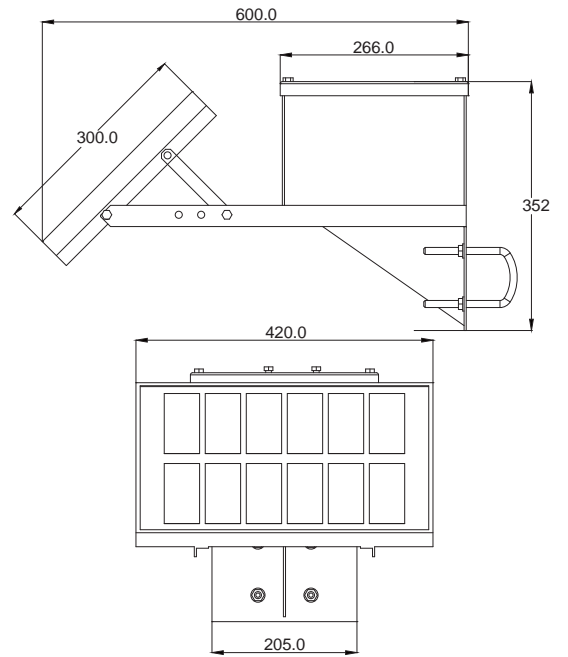
OLS10 Series

Intensity	10cd, steady
Compliant with	ICAO : low intensity type A
	FAA : N/A



Specifications

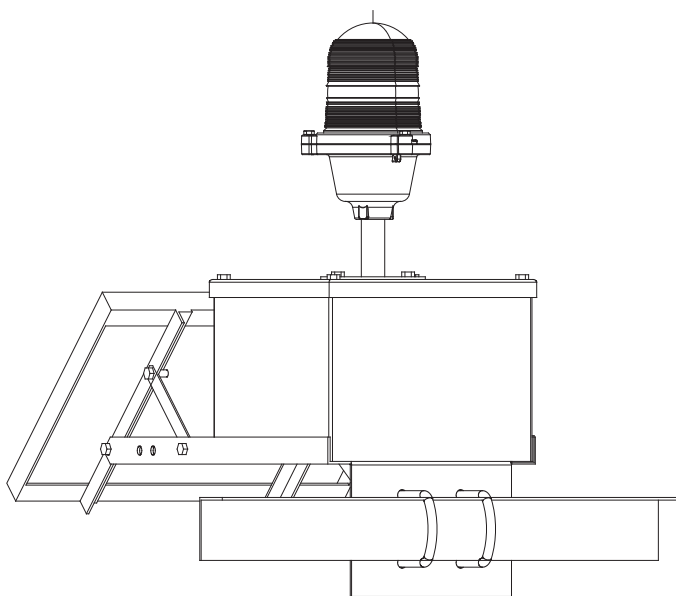
LIGHT OUT-PUT	
Effective Intensity	10 Candela
Vertical Divergence	-3°-20° more than 10cd, Centering at 10°
Horizontal out-put	360 Degree
LED Color	Red
LED Lifespan	100,000 Hours
OPERATION	
Flash Pattern	Steady
POWER SUPPLY	
Solar panel	17.5V / 15W module
Rechargeable battery	VRLA, 12V / 10Ah
Autonomy	5 days (in cloudy & raning weather)
MECHANICAL STRUCTURE	
Lens	Polycarbonate, UV Stabilize
Body	Die-casting Aluminum
Water-proof	IP65
Weight	11 KG
Temperature Range	-40C° ~ +55C°
Relative humidity	100% with condensation
Battery box dimensions	352mm H, 204mm W, 650mm L
Solar module dimensions	420mm * 300mm * 28mm
Warranty	5 years for light body, 10 years for solar panel 2 years for VRLA battery



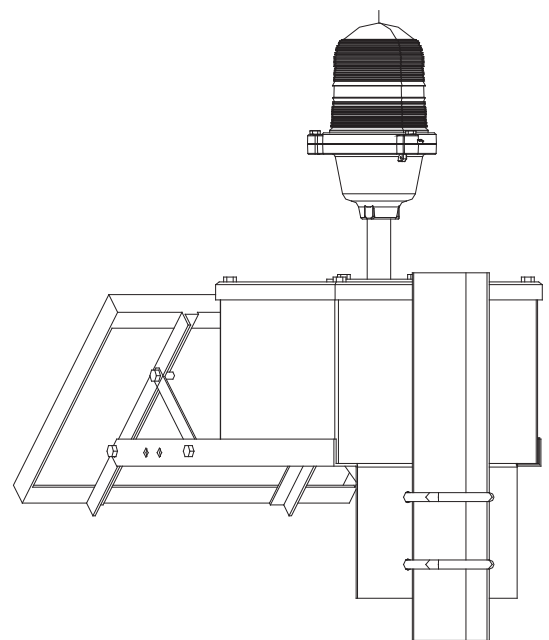
Order codes

Series	Single/Double
OLS10	S
	D

For example,
OLS10S means a solar powered single light



Horizontal Mount



Vertical Mount