

# OMARK Obstruction Marking Sphere

Aviation obstruction marking sphere is designed to provide daytime visual warning of electricity transmission line for aircraft pilots, especially cross river high voltage transmission lines.

A marker should be of one colour. When installed, white and red, or white and orange markers should be displayed alternately. The colour selected should contrast with the background against which it will be seen.

## Functions&Features

- Not easy to break during transportation & installation
- Super corrosion resistant character, stainless steel bolts and nuts
- Aluminum alloy cable clamp guarantees good corrosion resistance
- Various size of cable clamps are available to fit into customers' cable conductor
- Drain holes structure can prevent accumulated rain water inside the spheres
- Stacking compatible design, save storage space and freight charge
- Optional Preformed Armor Rods prevent the spheres slipping from the conductor
- Optional Reflective strip for night visibility

## Application

- Power transmission Line

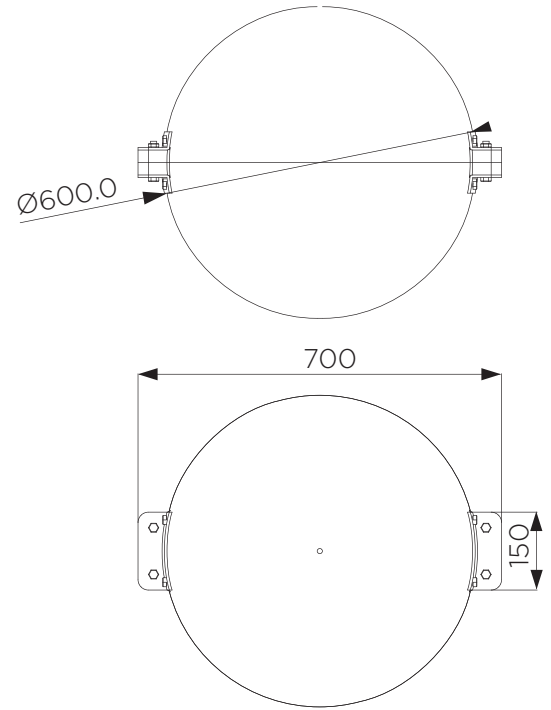
## Standard

- ICAO Annex 14, 4th Edition, July 2004
- FAA AC 70/7460-1K, obstruction Marking and Lighting



## Specifications

Operation	
Visible Distance	1200 meters
Voltage Range	35KV-1000KV
Conductor diameter	6.5-55mm
Mechanical structure	
Color	Orange, Red, White, Orange/White, Red/White
Sphere body	FRP(Fiberglass Reinforced Polyester)
Cable clamp	Aluminum alloy
Bolts/nuts/washers	Stainless steel 304
Diameter	600mm
Weight	6.9KG
Thickness	3mm
Drain holes	Yes
Optional	<ul style="list-style-type: none"> <li>• Preformed Armor Rods</li> <li>• Reflective Strip</li> </ul>
Warranty	2 Years



## Ordering Code

Series	Diameter	Color	Cable diameter(mm)	Armor Rods	Reflective Strip
OMARK	600mm	O(Orange)	____	AR	RS
		R(Red)			
		W(White)			
		O/W(Orange/White)			
		R/W(Red/White)			

or Example, OMARK600O13.1AR means a 600mm diameter warning sphere, orange color, with preformed armor rods, suitable for diameter 13.1mm cable conductor.

### Note :

For guarantee the spheres can fit for cable conductor well, customers need to provide cable diameter, cable material and code.

