

PL10A Solar Powered Obstruction Light

PL10A based on PL10 basic features, configured synchronization and alarm signal output functions. An internal solar panel comes with PL10A, provides power supply to the light, which makes PL10A a self-contained and care-free light unit. Also, with the solar function, the light is easy to deploy to almost any condition and any emergency case. Robust body built and surface coating provides good protection against harsh environments.

PL10A is equipped with an 8Ah NiMH rechargeable battery which could power the light up to 20 days when the weather is cloudy & rainy. NiMH battery is also a clean power source with no pollution. The NiMH battery is also easy to find almost anywhere.

Features

- Ultra-light LEDs, energy saving
- Dry contact type alarm out-put
- Group Synchronization by sync data shielded cable
- One unit Can be working independently as PL10
- Once fully charged, it can work for up to 200 hours
- Auto-off after being packed for 18 hours

Application

- High-rise building marking
- Telecom tower marking
- Road obstruction marking
- Navigation aid
- Port, dock entrance & walkway
- Buoy marking
- Offshore gas & oil platform



1. Built-in 1.8W solar panel
2. Data interface for synchronization and alarm signal output
3. 4-pin IP67 cable connector



Specifications

LIGHT OUT-PUT

Intensity	FLASHING ● Red: >10cd ● Green:>20cd ● Yellow: >10cd ○ White:>25cd ● Blue:>5cd STEADY ● Red: >4cd ● Green: >8cd ● Yellow: >4cd ○ White:>10cd ● Blue:>2cd
Nominal Night Range	>4 KM
LED Color Available	Red, Green, Yellow, White, Blue
Vertical Divergence	10 Degree
Horizontal Out-put	360 Degree
Illumination	Ultra-bright LEDs
LED Lifespan	100,000 Hours

OPERATION

Autonomy	Flashing : 200 Hours / Steady : 100 Hours
On & Off Level	70/100 Lux
Flash Pattern	40FPM default (can be preprogrammed to a specified flashing rate upon customer request)

POWER SUPPLY

Power Source	Solar module, mono-crystalline silicon
Solar Efficiency	13.5%
Max. Power Out-put	1.8 Watts
Battery Type	High-efficiency NiMH rechargeable battery
Battery Capacity	8 AH / 13.6V
Battery Replacement	Yes, replaceable

MECHANICAL STRUCTURE

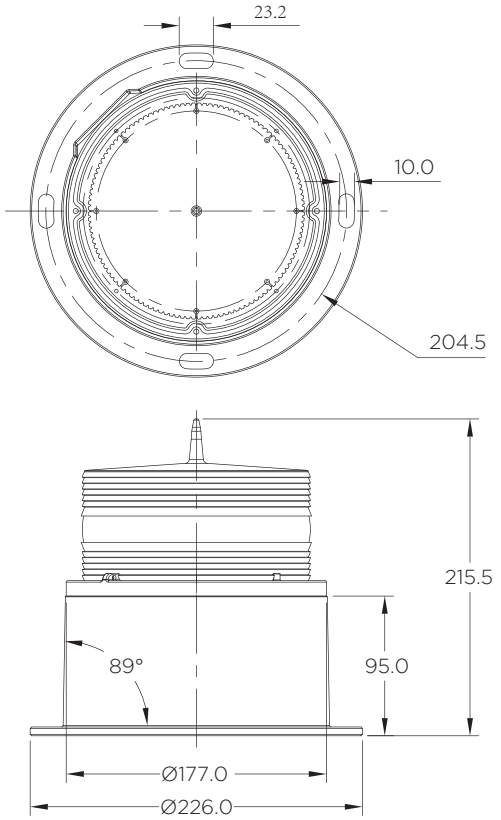
Lens	Polycarbonate, UV Stabilize
Body	Die-casting Aluminum
Water-proof	IP67
Weight	3.5 KG
Temperature Range	-40C° - +55C°
Dimensions	215.5mm H, 226mm Diameter
Warranty	5 years for light 2 years for NiMH battery

Note: when the light is in storage, please put it outside to charge the battery every 3 months

REDDOT AMP mounting kit : Ordering Code

Series	Vertical tower leg diameter range	Horizontal tower leg diameter range
AMP3080	30-80mm	30-80mm
AMP30150	30-150mm	30-80mm

Note: details referred to REDDOT RDM-AMP-04 and RDMP-AMP-06



Installation

