

PL10S Solar powered obstruction light

PL10S is a member of PL10 series, configured two toggle switches. An internal solar panel comes with PL10S, provides power supply to the light, which makes PL10S a self-contained and care-free light unit. Also, with the solar function, the light is easy to deploy to almost any condition and any emergency case. Robust body built and surface coating provides good protection against harsh environments.

PL10S is equipped with an 8Ah NiMH rechargeable battery which could power the light up to 20 days when the weather is cloudy & rainy. NiMH battery is also a clean power source with no pollution. The NiMH battery is also easy to find almost anywhere.

Two toggle switches built on PL10S body:

1. ON/OFF for saving power consumption and protecting battery from over-discharging during storing or transportation.
2. AUTO/MANUAL for EMERGENCY use.
AUTO : auto-switch on/off from dusk to dawn
MANUAL : mandatory-switch on

Features

- Ultra-light LEDs, energy saving
- Self-contained without outside power supply
- Maximum visibility distance 4 KM
- Once fully charged, it can work for up to 200 hours
- Auto-off after being packed for 18 hours

Application

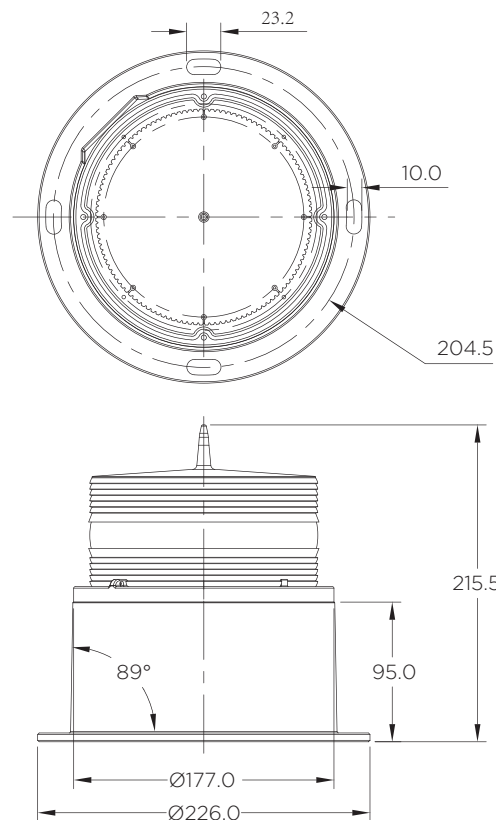
- High-rise building marking
- Telecom tower marking
- Road obstruction marking
- Navigation aid
- Port, dock entrance & walkway
- Buoy marking
- Offshore gas & oil platform

1. Built-in 1.8W solar panel
2. On/Off toggle switch
3. Auto/Manual toggle switch



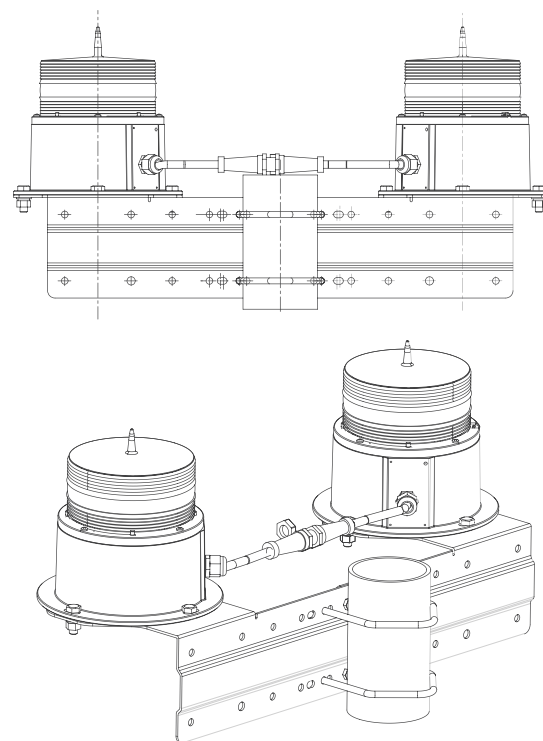
Specifications

LIGHT OUT-PUT	
Intensity	FLASHING ● Red: >10cd ● Green: >20cd ● Yellow: >10cd ○ White: >25cd ● Blue: >5cd STEADY ● Red: >4cd ● Green: >8cd ● Yellow: >4cd ○ White: >10cd ● Blue: >2cd
Nominal Night Range	>4 KM
LED Color Available	Red
Vertical Divergence	10 Degree
Horizontal Out-put	360 Degree
Illumination	Ultra-bright LEDs
LED Lifespan	100,000 Hours
OPERATION	
Autonomy	Flashing : 200 Hours / Steady : 100 Hours
On & Off Level	70/100 Lux
Flash Pattern	40FPM default (can be preprogrammed to a specified flashing rate upon customer request)
POWER SUPPLY	
Power Source	Solar module, mono-crystalline silicon
Solar Efficiency	13.5%
Max. Power Out-put	1.8 Watts
Battery Type	High-efficiency NiMH rechargeable battery
Battery Capacity	8 AH
Battery Replacement	Yes, replaceable
MECHANICAL STRUCTURE	
Lens	Polycarbonate, UV Stabilize
Body	Die-casting Aluminum
Water-proof	IP67
Weight	4.5 KG
Temperature Range	-40C° - +55C°
Dimensions	215.5mm H, 226mm Diameter
Warranty	5 years for light 2 years for NiMH battery



Note: when the light is in storage, please put it outside to charge the battery every 3 months

Installation



REDDOT AMP-D mounting kit: Ordering Code

Ordering Code	Suitable for pipe diameter	Installation type
AMP-D-80	30-80mm	Vertical
AMP-D-100	60-100mm	Vertical
AMP-D-150	100-150mm	Vertical

Noting:

Details referred to REDDOT RDM-AMP-D-02 drawing.