

# PL10 Solar Powered Obstruction Light

The solar panel comes with PL10 provides power supply to the light, which makes PL10 a self-contained and care-free light unit. Also, with the solar function, the light is easy to deploy to almost any condition and any emergency case. Robust body built and surface coating provides good protection against harsh environments.

## Compliant

ICAO Annex 14, Volume 1, 4th Edition, July 2004

FAA Advisory Circular AC150/5370-2F

PL10 is equipped with an 8Ah NiMH rechargeable battery which could power the light up to 20 days when the weather is cloudy & rainy. NiMH battery is also a clean power source with no pollution. The NiMH battery is also easy to find almost anywhere.

PL10 is also available with an optional on/off switch for storing and protect battery from over-discharging.

## Features

- Ultra-light LEDs, energy saving
- Self-contained without outside power supply
- Maximum visibility distance 4 KM
- Once fully charged, it can work for up to 200 hours
- Auto-off after being packed for 18 hours

## Application

- High-rise building marking
- Telecom tower marking
- Road obstruction marking
- Navigation aid
- Port, dock entrance & walkway
- Buoy marking
- Offshore gas & oil platform



# Specifications

## LIGHT OUT-PUT

Intensity	<b>FLASHING</b> <span style="color: red;">●</span> Red: >10cd <span style="color: green;">●</span> Green:>20cd <span style="color: yellow;">●</span> Yellow: >10cd <span style="color: white;">○</span> White:>25cd <span style="color: blue;">●</span> Blue:>5cd  <b>STEADY</b> <span style="color: red;">●</span> Red: >4cd <span style="color: green;">●</span> Green: >8cd <span style="color: yellow;">●</span> Yellow: >4cd <span style="color: white;">○</span> White:>10cd <span style="color: blue;">●</span> Blue:>2cd
-----------	--

Nominal Night Range	>4 KM
LED Color Available	Red, Green, Yellow, White, Blue
Vertical Divergence	10 Degree
Horizontal Out-put	360 Degree
Illumination	Ultra-bright LEDs
LED Lifespan	100,000 Hours

## OPERATION

Autonomy	Flashing : 200 Hours / Steady : 100 Hours
On & Off Level	70/100 Lux
Flash Pattern	40FPM default (can be preprogrammed to a specified flashing rate upon customer request)

## POWER SUPPLY

Power Source	Solar module, mono-crystalline silicon
Solar Efficiency	13.5%
Max. Power Out-put	1.8 Watts
Battery Type	High-efficiency NiMH rechargeable battery
Battery Capacity	8 AH / 3.6V
Battery Replacement	Yes, replaceable

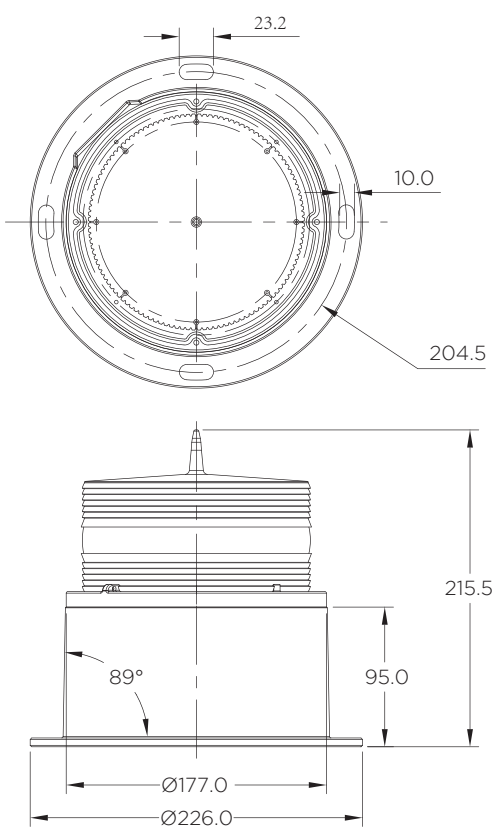
## MECHANICAL STRUCTURE

Lens	Polycarbonate, UV Stabilize
Body	Die-casting Aluminum
Water-proof	IP67
Weight	3.5 KG
Temperature Range	-40C° - +55C°
Dimensions	215.5mm H, 226mm Diameter
Warranty	5 years for light 2 years for NiMH battery

**Note: when the light is in storage, please put it outside to charge the battery every 3 months**

## REDDOT AMP mounting kit : Ordering Code

Series	Vertical tower leg diameter range	Horizontal tower leg diameter range
AMP3080	30-80mm	30-80mm
AMP30150	30-150mm	30-80mm



## Installation

