

# OMARK Obstruction Marking Sphere

Aviation obstruction marking sphere is designed to provide daytime visual warning or nighttime visual warning if comes with reflective tape, for electricity transmission line and overhead wire for aircraft pilots, especially cross river high voltage transmission lines. RedDot OMARK power line marker ball is made of high-grade Fiberglass Reinforced Plastics(FRP), diameter of 600mm and 800mm are available to meet different customers' needs.

A marking sphere should be of one color such as aviation orange, white and red. Generally, the marking spheres are placed on the highest line. Where there is more than one line at the highest level, white and red, or white and orange spheres should be displayed alternately. This alternating color scheme provides the most conspicuity against all back ground.

## Functions&Features

- Fiberglass Reinforced Polymer durable material with better weather resistant
- Super corrosion resistant character, stainless steel bolts and nuts
- Aluminum alloy cable clamp guarantees good corrosion resistance
- Various size of cable clamps are available to fit for customers' cable conductor
- Drain holes structure can prevent accumulated rain water inside the spheres
- Stacking compatible design, save storage space and freight charge
- Optional Preformed Armor Rods provide better protection against vibration and abrasion
- Optional Reflective tape is more durable and economical solution for night visibility
- Both sphere diameters of 600mm and 800mm are available

## Application

- Power transmission Line
- Overhead line
- Guyed wire for self-supported guyed tower

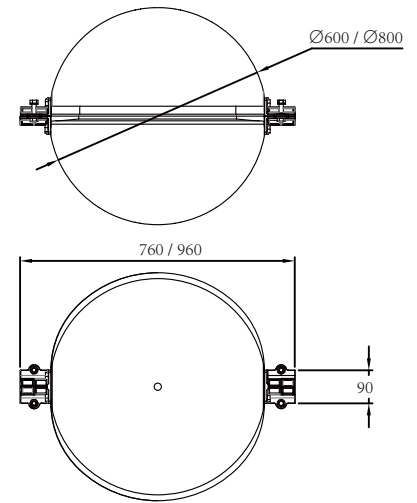
## Standard

- ICAO Annex 14, 4th Edition, July 2004
- FAA AC 70/7460-1K, obstruction Marking and Lighting



# Specifications

Operation	
Visible Distance	1200 meters
Voltage Range	35KV-1000KV
Conductor diameter	6.5-55mm
Mechanical structure	
Color	Orange, Red, White, Orange/White, Red/White
Sphere body	FRP(Fiberglass Reinforced Polyester)
Cable clamp	Aluminum alloy
Bolts/nuts/washers	Stainless steel 304
Diameter	600mm / 800mm
Weight	6.9KG / 9.0KG
Thickness	3mm
Drain holes	Yes
Optional	<ul style="list-style-type: none"> <li>Preformed Armor Rods</li> <li>Reflective Strip</li> </ul>
Warranty	2 Years

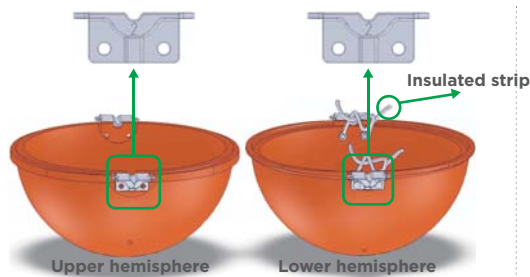


# Ordering Code

Series	Diameter	Color	Cable diameter(mm)	Armor Rods	Reflective Strip
OMARK	600mm	O(Orange)			
	800mm	R(Red)			
		W(White)			
		O/W(Orange/White)			
		R/W(Red/White)			

or Example, OMARK600O13.1AR means a 600mm diameter warning sphere, orange color, with preformed armor rods, suitable for diameter 13.1mm cable conductor.

**Note :**  
For guarantee the spheres can fit for cable conductor well, customers need to provide cable diameter, cable material and code.



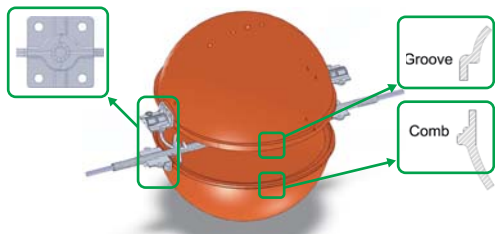
(1) Take out the spheres from box. The half with insulated strips is lower hemisphere and the other is upper half. Please note that each box generally packs three sets of spheres. Match one complete set of the sphere via pairing up the same number(eg: Number "2") printed on cable clamp of only one side on both halves.



(2) Apply preformed armor rods to power line conductor, make sure wrapping armor rods with the same direction as conductor twisted.



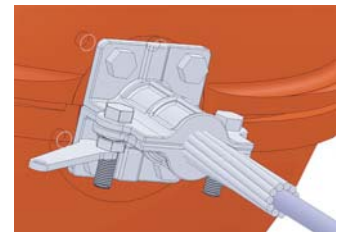
(3) Fix the lower hemisphere to the power line : Tie up insulated strips on both sides on the power line, make sure the conductor with armor rods can right attach in clamp slots on both sides. Make sure the rest of armor rods out of clamps on both sides with equal length.



(4) Assemble the upper hemisphere with the lower half. For marking sure groove and comb right fit together perfectly, please align cable clamps printed with the same number(eg: Number "2") on only one side of each half.



(5) Insert M12\*35 hex bolt, M12 hex nuts, flat washers, spring washers into cable clamps on both sides.



(6) Use adjustable wrench to secure M12 hex nuts.