

OLIS10-V Solar Based Low Intensity Obstruction Light

OLIS10-V series is solar powered obstruction light. Solar function make it a self-contained and almost care-free light unit. Also, with the solar function, the light is easy to deploy to almost any condition and any emergency case.

Robust body built and surface coating provides good protection against harsh environments. Other advantages like energy saving and cable saving make the solar powered light a good option on obstruction marking.

OLIS10-V is equipped with a 7.2Ah VRLA (valve-regulated lead acid) rechargeable battery which could power the light up to 5 days when the weather is cloudy & rainy. The 7.2Ah VRLA battery is also easy to find almost anywhere.

OLIS10-V Series

Intensity	10cd, steady
Compliant with	ICAO : low intensity type A
	FAA : N/A

Features

- Green energy
- Ultra-light LEDs, energy saving
- Self-contained without outside power supply
- Maximum visibility distance 4 KM
- Once fully charged, it can work for up to 60 hours
- Auto-off after being packed for 18 hours
- Cable cost saving & cabling job saving
- No wiring job, nice & easy installation

Application

- Telecomm tower
- Radio tower
- Wind turbine
- Smoke stacks & chimney
- Tall building
- Power transmission line

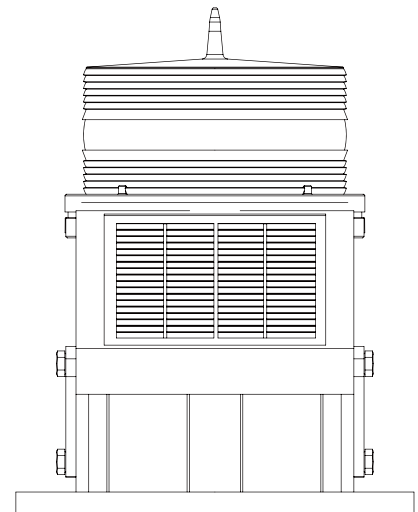
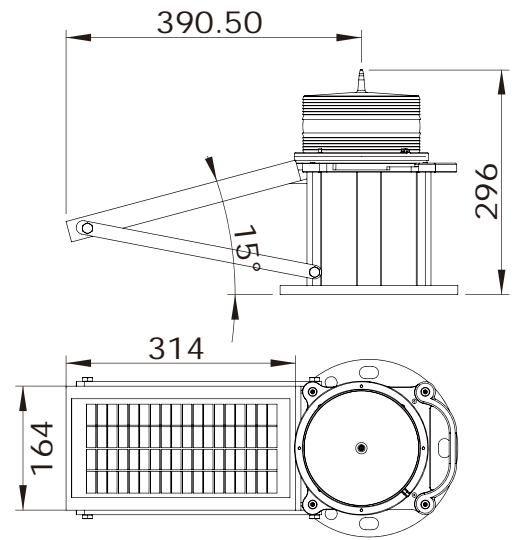
Standard

- ICAO Annex 14, 4th Edition, July 2004
- ICAO low intensity, type A



Specifications

LIGHT OUT-PUT	
Effective Intensity	10 Candela
Vertical Divergence	-3°-20° more than 10cd, Centering at 10°
Horizontal out-put	360 Degree
LED Color	Red
LED Lifespan	100,000 Hours
OPERATION	
Flash Pattern	Steady-burning
POWER SUPPLY	
Solar panel	17.5V / 5W module
Rechargeable battery	VRLA type, 7.2Ah
Autonomy	5 days (in cloudy & raning weather)
MECHANICAL STRUCTURE	
Lens	Polycarbonate, UV Stabilize
Body	Die-casting Aluminum
Water-proof	IP67
Weight	5 KG
Temperature Range	-40C° - 60C°
Relative humidity	100% with condensation
Light dimensions	296mm H, light diameter 235mm
Solar module dimensions	164mm * 314mm
Warranty	5 years for light body, 2 years for VRLA battery



Note: when the light is in storage, please put it outside to charge the battery every 3 months

