



Portable Airfield Light



DPL863-A 12VDC Portable Airfield Light

DPL863-A series comes with white, blue, red, yellow and green colors. It can work as runway light, taxiway light, threshold light and runway end identifier light, etc.

A rechargeable NiMH battery makes sure that the light could last for up to 5 days before next charging. Input of the charger is 110VAC-220VAC that can be found anywhere.

With a handle on the light body, it can be easily carried & deployed.

Functions & Features

- Aluminum & polycarbonate body with good protection
- LED light source, maintenance free
- 5 colors available
- Reflective strip indicates color of the light
- Easy to carry handle
- Water proof 12VDC industrial plug & socket
- No cabling work

Functions

- Both auto photo sensor & manual switch available
- Rechargeable battery provide up to 5 days power
- Battery could be fully charged within 8 hours
- Low battery alarm
- Working /charging status LED indicators

Application

- Emergency airfield lighting
- Small private airport
- Military temporary airfield

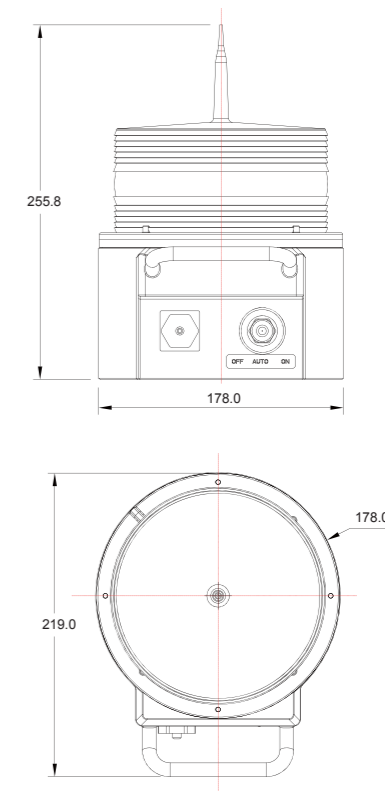


Specifications

LIGHT OUT-PUT	White	Blue	Red	Yellow	Green
Intensity (Candela)	30	10	15	15	20
Nominal Night Range	8KM	4KM	5KM	5KM	6KM
Vertical Divergence	10 Degree				
Horizontal Out-put	360 or 180 Degree				
Illumination	Ultra-bright LEDs				
LED Lifespan	100,000 Hours				
OPERATION					
Autonomy	70 hours				
On & Off Level	70/100 Lux				
Flash Pattern	For DPL863E only, 60FPM				
POWER SUPPLY					
Power Source	12VDC charger				
Light Power Out-put	1.5 Watts				
Battery Type	NiMH rechargeable battery				
Battery Capacity	24 AH				
Battery Replacement	Yes, replaceable				
MECHANICAL					
Lens	Polycarbonate, UV Stabilize				
Body	Die-casting Aluminum				
Water-proof	IP67				
Weight	4.0 KG				
Temperature Range	-40 C ~ 80 C				
Dimensions	256mm H, 180mm Diameter				

Series Ordering Code

DPL863-A	DPL863-AW (White)
	DPL863-AB (Blue)
	DPL863-AR (Red)
	DPL863-AY (Yellow)
	DPL863-AG (Green)
	DPL863-ARG (Half red, half green)
	DPL863-AE (White, 60FPM)



Charger

Charger is a one-to-one charging accessory just like normal portable consumable electronics. It can charge a DPL863-A light to full extend within 8 hours. Charging status could be seen both from the charger & lights.

SPECIFICATIONS

Input	110VAC – 240VAC
Output	12.6VDC
Max Power Consumption	40W
Dimensions	200mm*70mm*40mm

Charger Photo

