



Portable Airfield Light



DPL863 Series Portable Airfield Light

DPL863 series comes with white, blue, red, yellow and green colors. It can work as runway light, taxiway light, threshold light and runway end identifier light.

A large rechargeable Lithium battery makes sure that the light could last for up to 10 days before next charging. The charging station has 10 12VDC charge sockets which can charge 10 lights at the same time. Input of the charging station is 80-265VAC that could be found anywhere.

Major Features

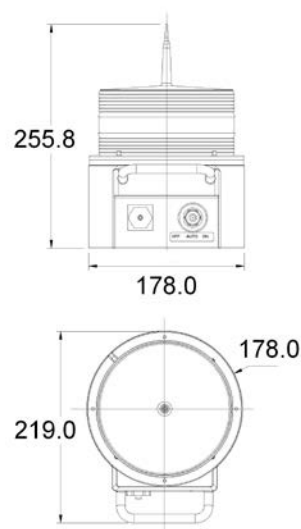
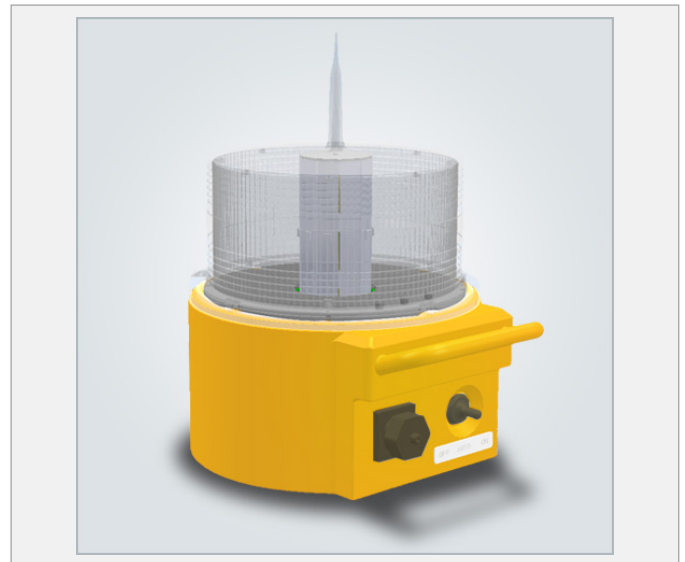
- Aluminum & polycarbonate body with good protection
- LED light source, maintenance free
- 5 colors available
- Reflective strip indicates color of the light
- Easy to carry handle
- Water proof 12VDC industrial plug & socket
- No cabling work

Functions

- Both auto photo sensor & manual switch available
- Rechargeable battery provide up to 10 days power
- Battery could be fully charged with 8 hours
- Low battery alarm
- Working /charging status LED indicators

Applications

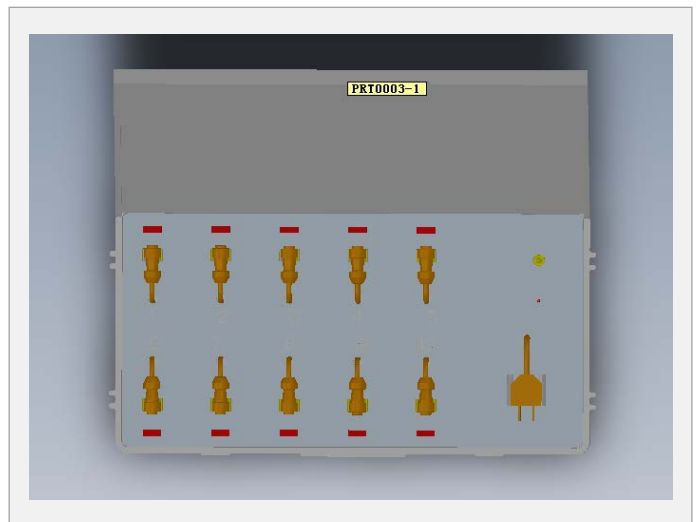
- Emergency airfield lighting
- Small private airport
- Military temporary airfield



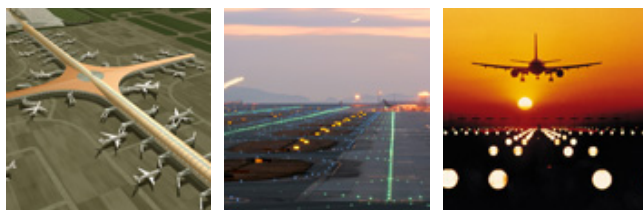
Specifications

SPECIFICATIONS					
LIGHT OUT-PUT	White	Blue	Red	Yellow	Green
Intensity (Candela)	60	20	30	30	40
Nominal Night Range	10KM	7KM	8KM	8KM	9KM
Vertical Divergence	10 Degree				
Horizontal Out-put	360 or 180 Degree				
Illumination	Ultra-bright LEDs				
LED Lifespan	100,000 Hours				
OPERATION					
Autonomy	140 hours				
On & Off Level	700/100 Lux				
Flash Pattern	For DPL863E only, 60FPM				
POWER SUPPLY					
Power Source	12VDC charging station				
Light Power Out-put	2 Watts				
Battery Type	Lithium rechargeable battery				
Battery Capacity	50 AH				
Battery Replacement	Yes, replaceable				
MECHANICAL					
Lens	Polycarbonate, UV Stabilize				
Body	Die-casting Aluminum				
Water-proof	IP67				
Weight	4.5 KG				
Temperature Range	-40°C ~ 80°C				
Dimensions	256mm H, 180mm Diameter				

Charging Station



Charge station is an integrated portable ABS plastic box. It can charge 10 lights at the same time. Charging status could be seen both from the charging station & lights.



SPECIFICATIONS	
Input	85VAC – 265VAC
Output	12VDC
Max Power Consumption	70W
Dimensions	940mm*680mm*340mm